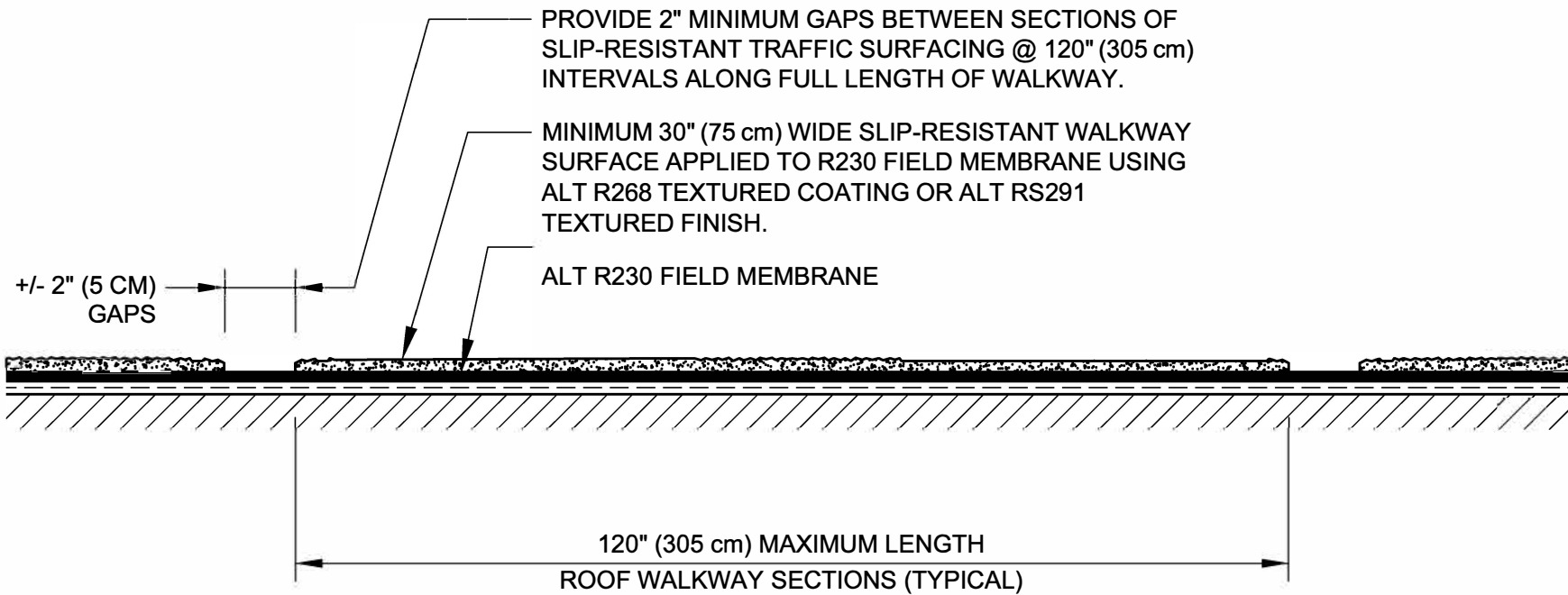
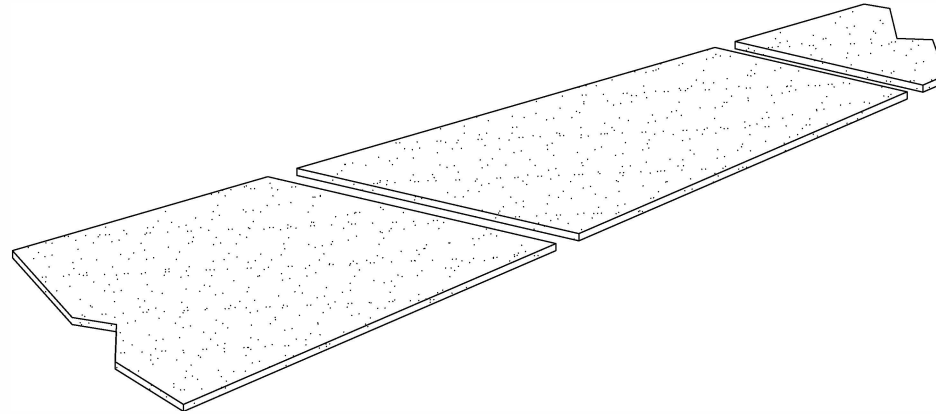


NOTE:
 OUTLINE AREA TO RECEIVE SLIP-RESISTANT WALKWAY SURFACING USING 2" WIDE MASKING TAPE. APPLY THE APPROPRIATE ALT RESIN SURFACING COAT & REMOVE MASKING TAPE BEFORE RESIN CURES.



DRAWING NO.:

M-5A

AM_05A

SLIP-RESISTANT WALKWAY SURFACING

REVISION	ISSUE DATE	SCALE	DRAWN BY
0	10-15-2014	N.T.S.	ALT Global



ALT