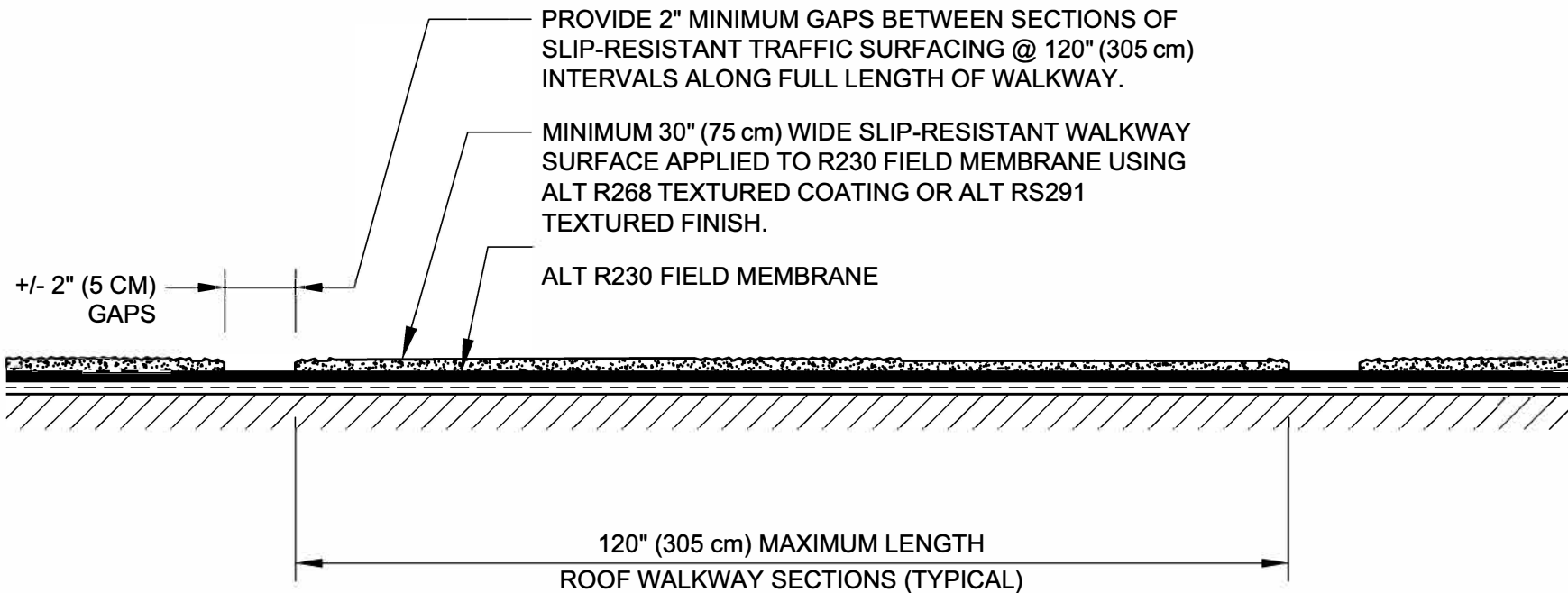
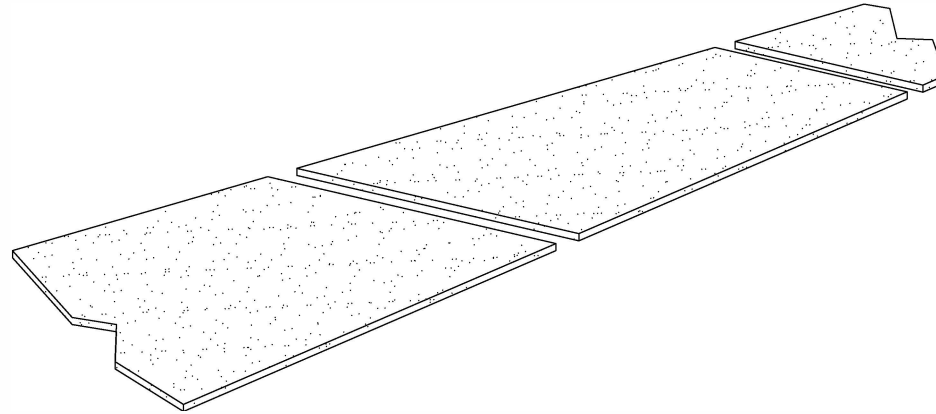


**NOTE:**  
 OUTLINE AREA TO RECEIVE SLIP-RESISTANT WALKWAY SURFACING USING 2" WIDE MASKING TAPE. APPLY THE APPROPRIATE ALT RESIN SURFACING COAT & REMOVE MASKING TAPE BEFORE RESIN CURES.



DRAWING NO.:

**M-5A**

AM\_05A

**SLIP-RESISTANT WALKWAY SURFACING**

REVISION	ISSUE DATE	SCALE	DRAWN BY
0	10-15-2014	N.T.S.	ALT Global



**ALT**