

PREPARE, LEVEL & PATCH SUBSTRATE
W/ALT R290 PASTE OR RS242 MORTAR
AFTER PRIMING & PRIOR TO APPLICATION
OF ALT R230 MEMBRANE (TYP.)

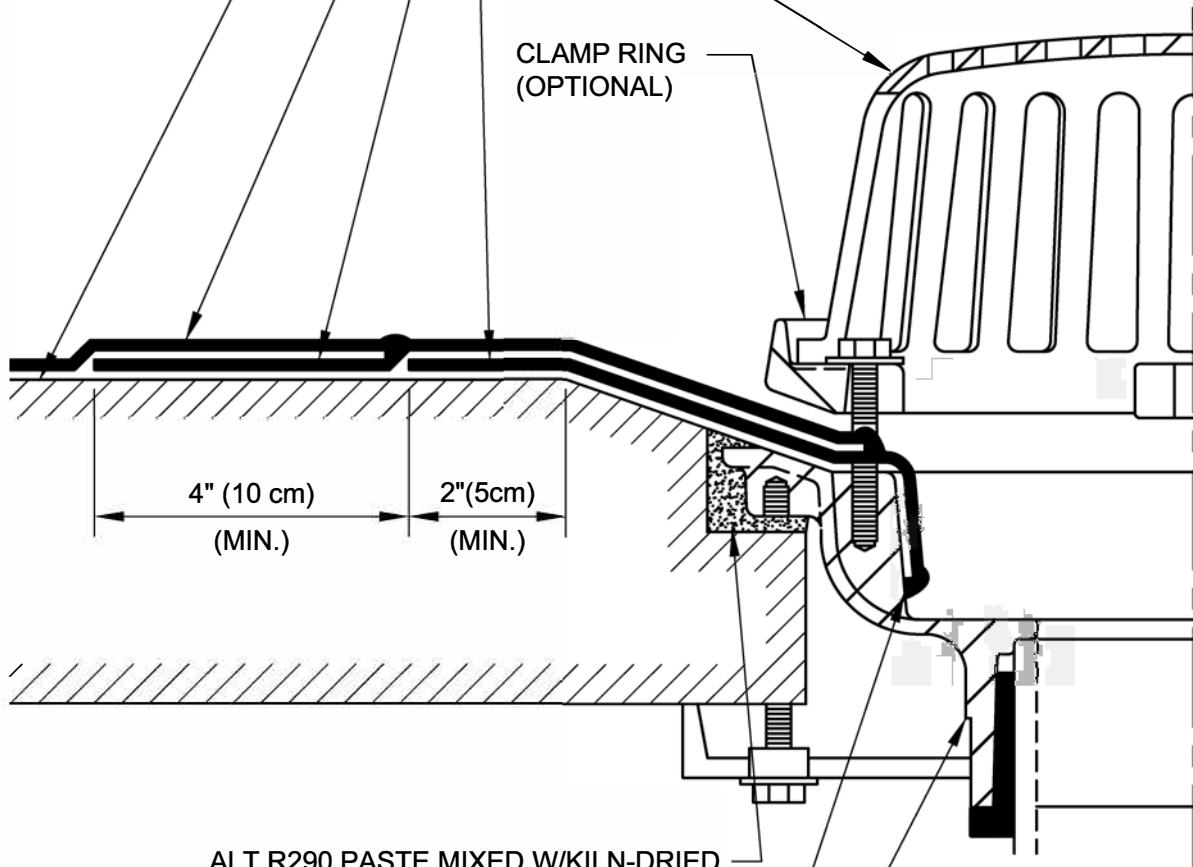
ALT R230 MEMBRANE FIELD

ALT R230 THIXO MEMBRANE TARGET FLASHING
EXTEND FROM EDGE OF DRAIN BOWL
ONTO PREPARED & PRIMED SUBSTRATE.

ALT R230 THIXO MEMBRANE FINGER FLASHING
EXTENDED MINIMUM 2" (5 cm) INTO
PREPARED & CLEANED DRAIN BOWL.

STRAINER

CLAMP RING
(OPTIONAL)



ALT R290 PASTE MIXED W/KILN-DRIED
SAND TO SET DRAIN BOWL, FILL VOIDS OR
CAVITIES & PROVIDE SMOOTH TRANSITION
BETWEEN SUBSTRATE & DRAIN BOWL.

ALT R230 RESIN BEAD TYPICAL @ ALL
MEMBRANE TERMINATION POINTS.

ACCEPTABLE ROOF DRAIN ASSEMBLY
PREPARE & PRIME DRAIN BOWL AS REQ'D.
FOR ALT R230 MEMBRANE APPLICATION.



TYPICAL ROOF DRAIN FLASHING

DRAWING NO.:

D-1A

REVISION
0

ISSUE DATE
10-15-2014

SCALE
N.T.S.

DRAWN BY
ALT Global

AD_01A