

PREPARE, LEVEL & PATCH SUBSTRATE  
W/ALT R290 PASTE OR RS242 MORTAR  
AFTER PRIMING & PRIOR TO APPLICATION  
OF ALT R230 MEMBRANE (TYP.)

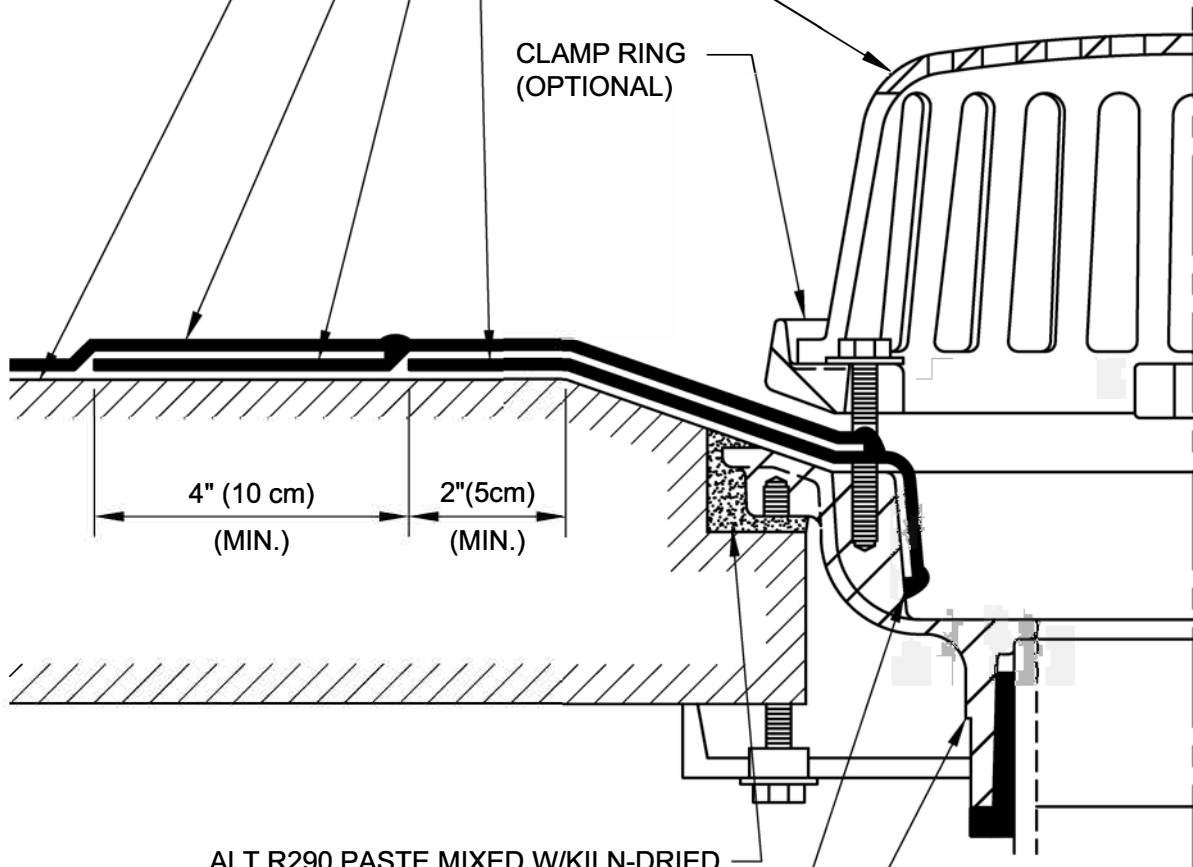
ALT R230 MEMBRANE FIELD

ALT R230 THIXO MEMBRANE TARGET FLASHING  
EXTEND FROM EDGE OF DRAIN BOWL  
ONTO PREPARED & PRIMED SUBSTRATE.

ALT R230 THIXO MEMBRANE FINGER FLASHING  
EXTENDED MINIMUM 2" (5 cm) INTO  
PREPARED & CLEANED DRAIN BOWL.

STRAINER

CLAMP RING  
(OPTIONAL)



ALT R290 PASTE MIXED W/KILN-DRIED  
SAND TO SET DRAIN BOWL, FILL VOIDS OR  
CAVITIES & PROVIDE SMOOTH TRANSITION  
BETWEEN SUBSTRATE & DRAIN BOWL.

ALT R230 RESIN BEAD TYPICAL @ ALL  
MEMBRANE TERMINATION POINTS.

ACCEPTABLE ROOF DRAIN ASSEMBLY  
PREPARE & PRIME DRAIN BOWL AS REQ'D.  
FOR ALT R230 MEMBRANE APPLICATION.



### TYPICAL ROOF DRAIN FLASHING

DRAWING NO.:

**D-1A**

REVISION  
0

ISSUE DATE  
10-15-2014

SCALE  
N.T.S.

DRAWN BY  
ALT Global

AD\_01A