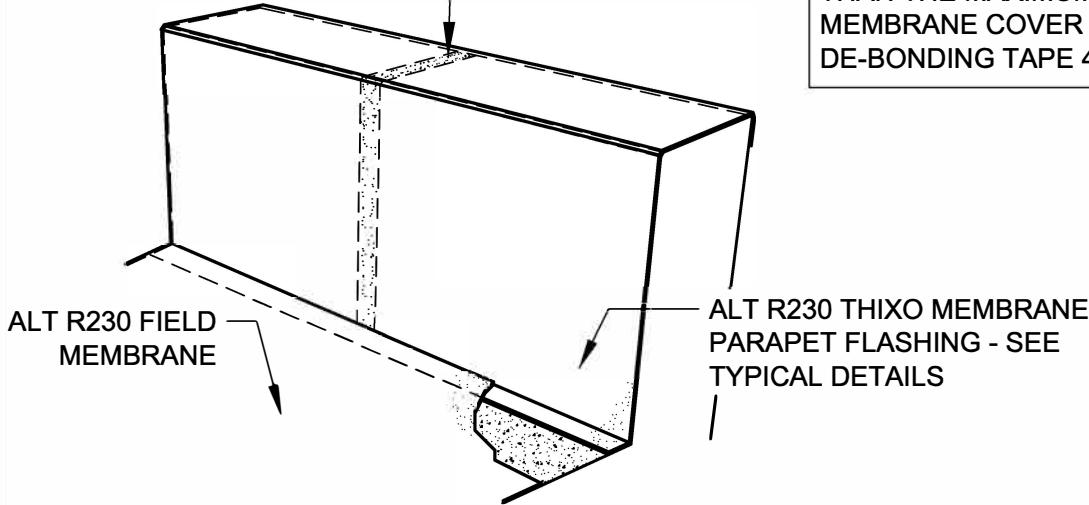


ALT R230 THIXO FLASHING
TURN DOWN OUTSIDE FACE
OF WALL AS REQUIRED.

NOTE:
SIZE WIDTH OF DE-BONDING TAPE TO PROVIDE
UN-ADHERED AREA MINIMUM 5 TIMES LARGER
THAN THE MAXIMUM ANTICIPATED EXPANSION.
MEMBRANE COVER STRIP MUST EXTEND PAST
DE-BONDING TAPE 4" MINIMUM ALL SIDES (TYP.)



VIEW @ PARAPET WALL

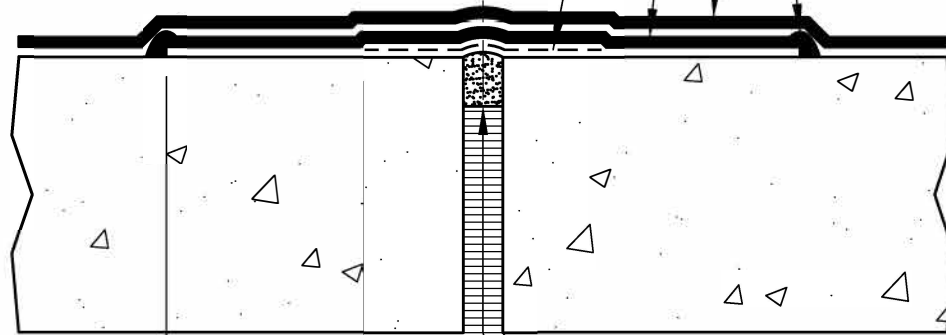
DE-BONDING TAPE SIZED TO ACCOMMODATE
MOVEMENT & CENTERED OVER CONC. JOINT.

6" WIDE MINIMUM ALT R230 THIXO MEMBRANE
STRIP APPLIED OVER DE-BONDING TAPE &
CENTERED OVER JOINT IN CONCRETE (TYP.)

ALT R230 MEMBRANE APPLIED CONTINUOUSLY
OVER ALT R230 THIXO MEMBRANE FLASHING
STRIP @ ALL JOINTS IN CONCRETE (TYP.)

ALT R230 RESIN BEAD TYPICAL @ ALL
MEMBRANE TERMINATION
POINTS (TYP.)

EXPANSION GAP
AS REQUIRED.



2" MIN.
(TYP.)

PREFORMED COMPRESSIBLE FILLER OR
BACKER ROD SIZED FOR OPENING.

FILL VOID @ CONCRETE JOINT WITH ALT R290
PASTE OR ALT RS242 MORTAR AS REQ'D.

SECTION THRU JOINT

SCALE: NTS



VERTICAL WALL JOINT FLASHING

DRAWING NO.:

J-3A

REVISION
0

ISSUE DATE
10-15-2014

SCALE
N.T.S.

DRAWN BY
ALT Global

AJ_03A