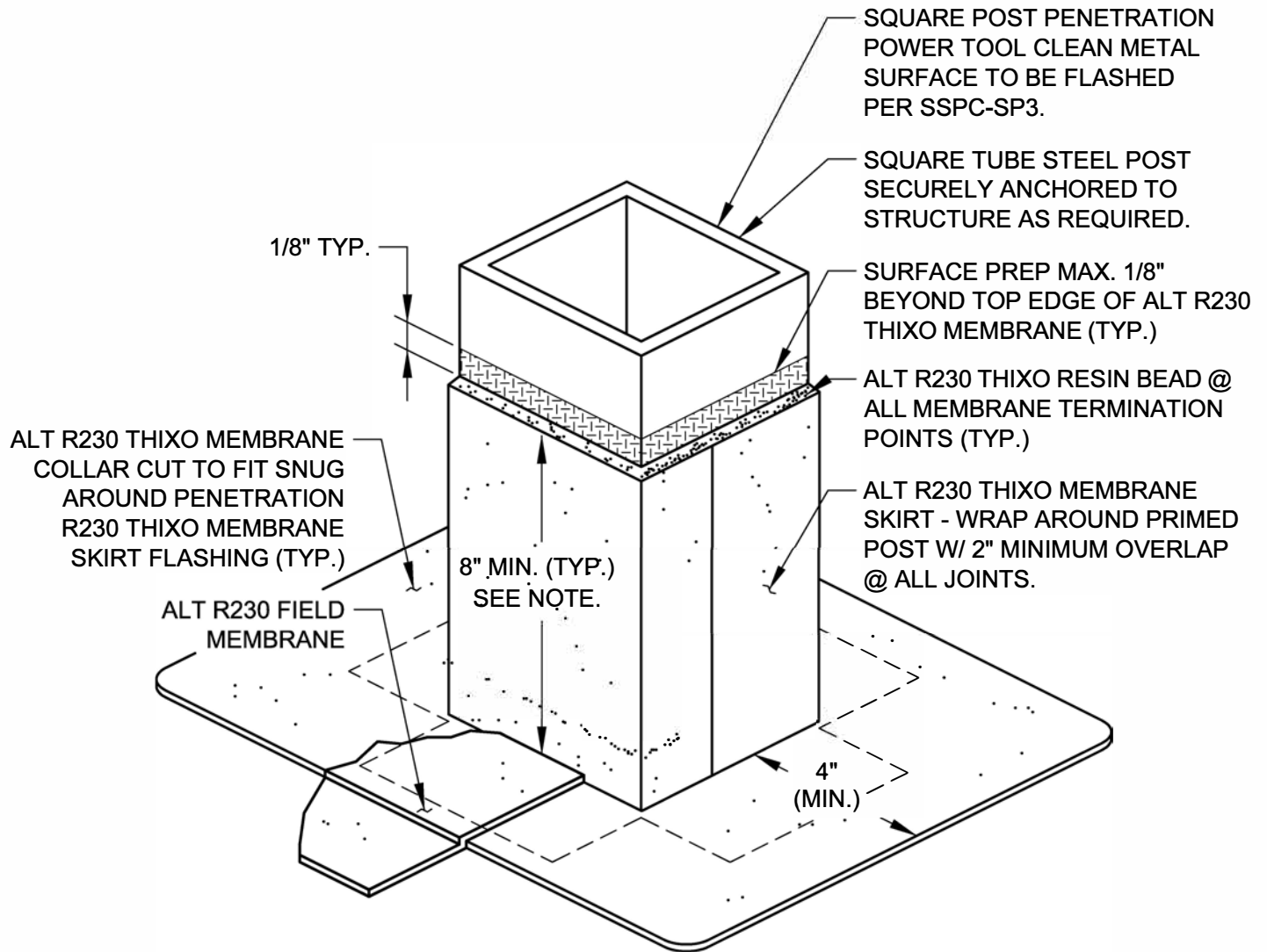


**NOTE:**

ALT RECOMMENDS 8" MIN. VERTICAL HEIGHT FOR ALL FLASHINGS WHENEVER POSSIBLE. FOR RAILING POST FLASHINGS WITH LOW HORIZONTAL CROSS-MEMBERS, 3" MIN. VERTICAL HEIGHT IS ACCEPTABLE ASSUMING THE TOP VERTICAL FLASHING EDGE IS ABOVE THE LINE OF POTENTIAL DELUGING OR STANDING WATER.



**SQUARE POST PENETRATION FLASHING**

DRAWING NO.:

**P-1H**

REVISION

0

ISSUE DATE

10-15-2014

SCALE

N.T.S.

DRAWN BY

ALT Global

AP\_01H