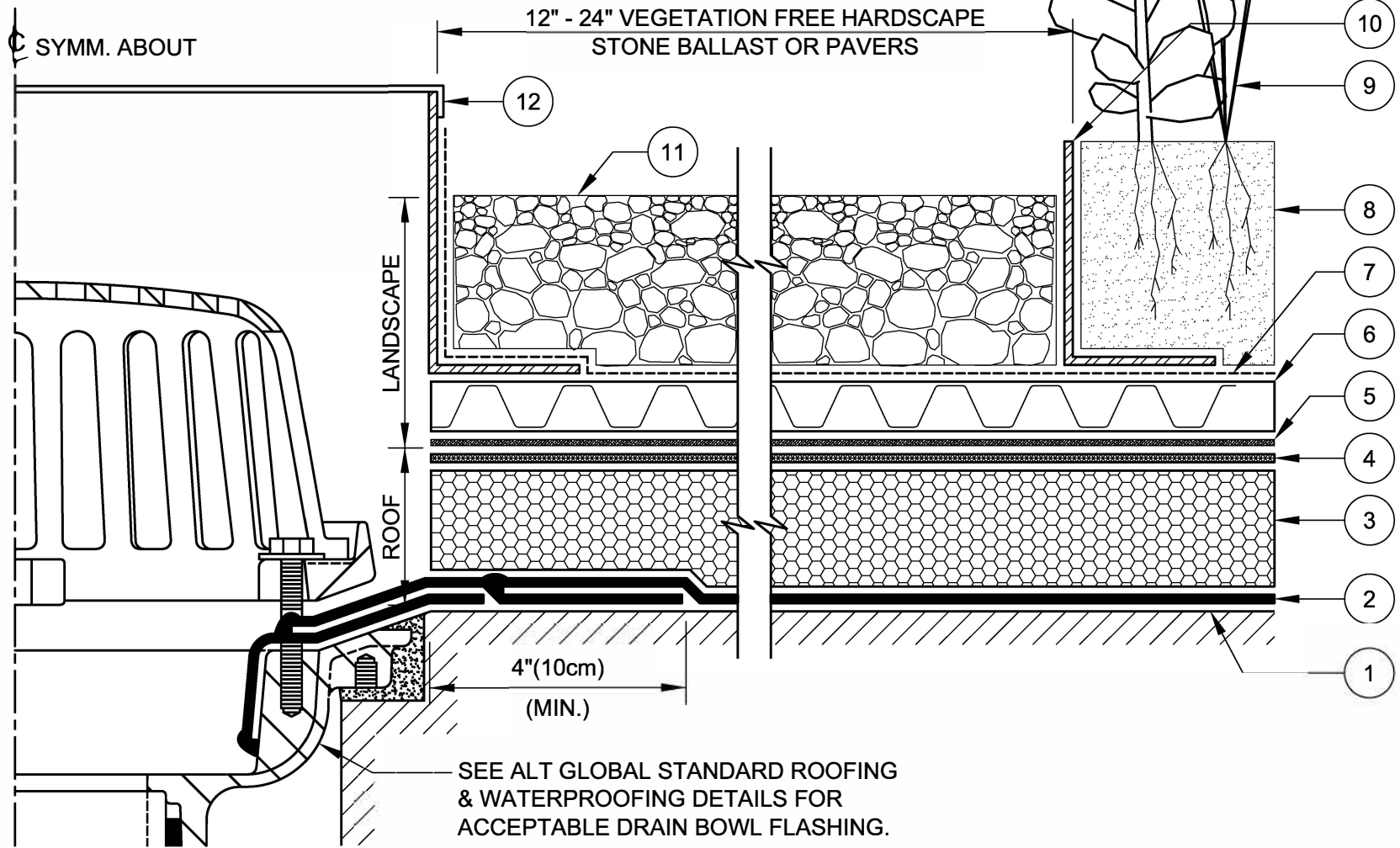


- 5 ACCEPTABLE PROTECTION/RETENTION MAT AS RECOMMENDED OR NEEDED.
- 4 ACCEPTABLE SEPARATION LAYER AS RECOMMENDED OR NEEDED.
- 3 ACCEPTABLE HIGH DENSITY XEPS INSULATION AS RECOMMENDED
- 2 ALT R230 W.P. MEMBRANE APPLIED OVER PRIMED SUBSTRATE.
- 1 ACCEPTABLE STRUCTURAL DECK PREPARED & PRIMED.

- 6 ACCEPTABLE GREEN ROOF SOLID DRAINAGE CORE AS RECOMMENDED.
- 7 ACCEPTABLE GEOTEXTILE FILTER FABRIC AS RECOMMENDED.
- 8 ACCEPTABLE EXTENSIVE GROWING MEDIA AS RECOMMENDED.
- 9 ACCEPTABLE PLANTINGS AS RECOMMENDED OR NEEDED.

- 10 ACCEPTABLE PERFORATED METAL GARDEN EDGE RESTRAINT.
- 11 TOP OF GROWING MEDIA OR HARDSCAPE TO REMAIN 3/4" MINIMUM BELOW TOP OF DRAIN BOX INSPECTION LID.
- 12 PERFORATED METAL DRAIN BOX W/ INSPECTION LID (BY OTHERS)



SEE ALT GLOBAL STANDARD ROOFING & WATERPROOFING DETAILS FOR ACCEPTABLE DRAIN BOWL FLASHING.

DRAWING NO.: **G-D1** GE_D01

TYPICAL GREEN ROOF DRAIN

REVISION: 0

ISSUE DATE: 10-15-2014

SCALE: N.T.S.

DRAWN BY: ALT Global

GLOBAL

ALT